



Friedhelm TRAPP GmbH

Ostring 15 - 63533 Mainhausen - Zentrale: 06182/9294-5 - Fax: 06182/9294-69 - Mail: trapp@f-trapp.de

www.f-trapp.de

Decorative luminaire TML-360



Decorative top luminaire with mast bracket for the lighting of road space for parking and green areas.

The installation of this luminaire can be done as an attachment or top boom, but also to bow poles. A particularly interesting design accents can be achieved with the variant TML-360-K in a closed circuit or in a semicircle.

The free color selection allows a wide margin of discretion for a variety of applications.





Friedhelm TRAPP GmbH

Ostring 15 - 63533 Mainhausen - Zentrale: 06182/9294-5 - Fax: 06182/9294-69 - Mail: trapp@f-trapp.de

www.f-trapp.de

Decorative luminaire TML-360

Technical Specifications

Application areas:

Fixed illumination from:

- Residential and shopping streets
- Parks and green areas
- Representative areas
- Pedestrian areas
- Promenades
- Parking and marketplaces

Lightspot height:

3.0 m to 4.5 m, for suspended installation of tower and attachment booms, and bowmasts of steel.

Luminaire housing:

- Aluminium sheet / Al-casting powder coated or painted
- RAL color of your choice
- innerlying symmetrical reflector.

Cover: PMMA or PC (charge) opal or clear, Ø 500 mm, bayonet lock.

Electrical installation:

- LED
- HSE 70 - 150 W
- HIE
- On request also installation for two illuminants possible
- Protection class: I
- protection category: IP 44

All connecting elements made of stainless steel.



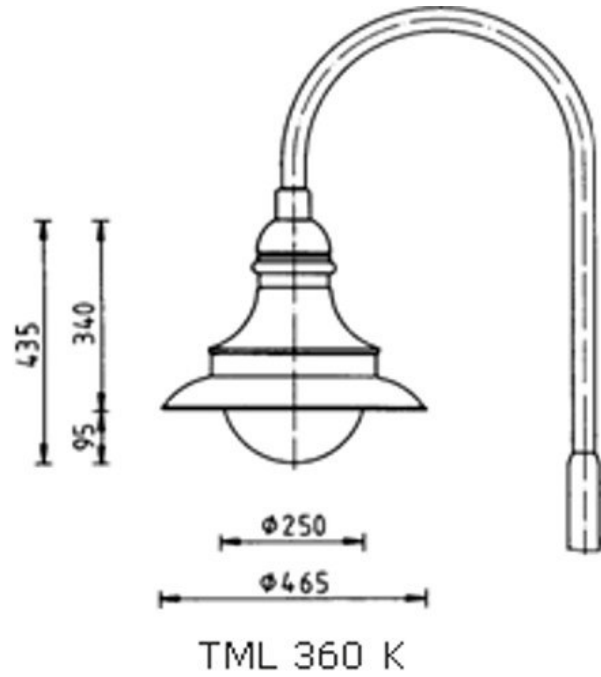
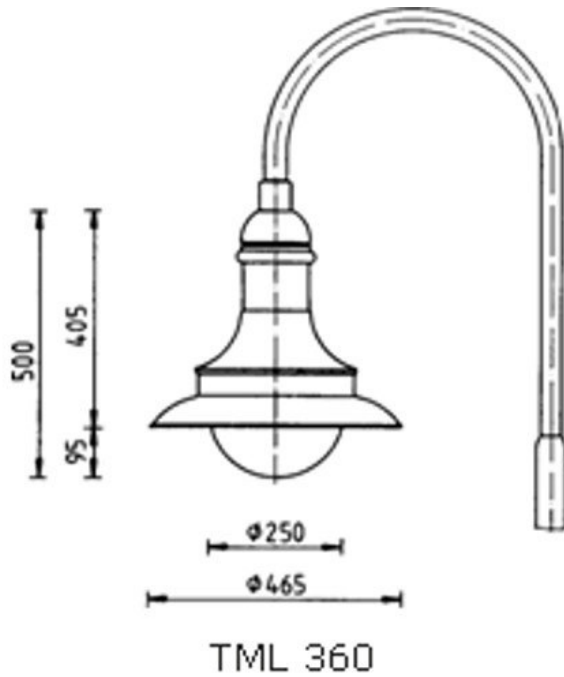
Friedhelm TRAPP GmbH

Ostring 15 - 63533 Mainhausen - Zentrale: 06182/9294-5 - Fax: 06182/9294-69 - Mail: trapp@f-trapp.de

www.f-trapp.de

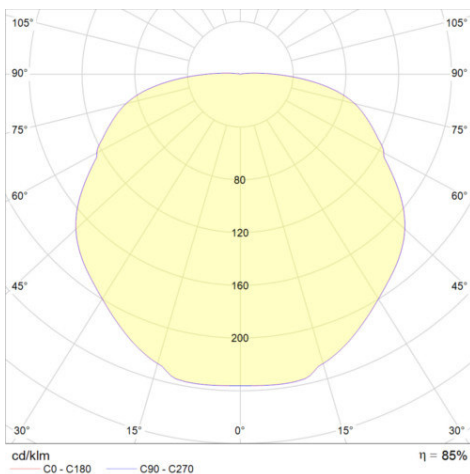
Decorative luminaire TML-360

Diameters

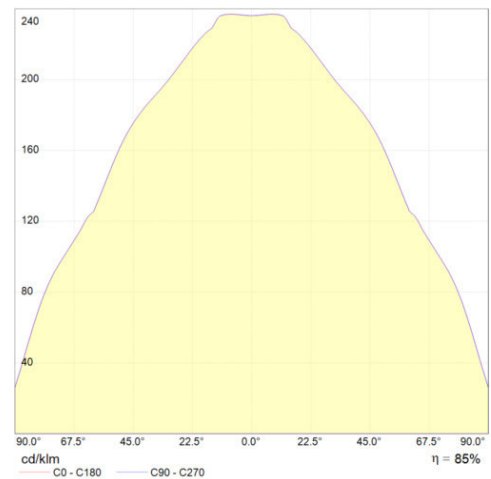


Photometric data

Polar graph:



Cartesian graph:



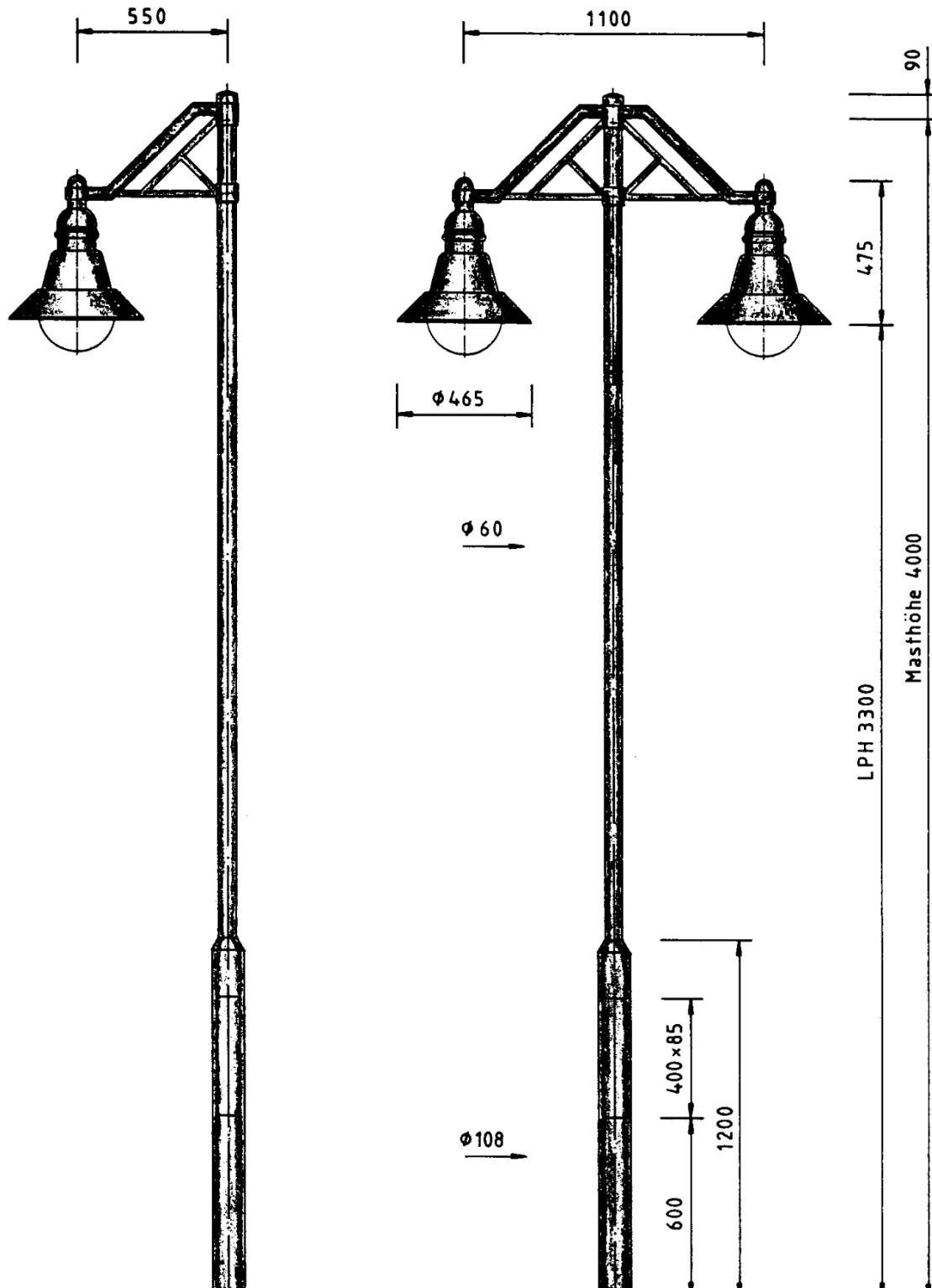


Friedhelm TRAPP GmbH

Ostring 15 - 63533 Mainhausen - Zentrale: 06182/9294-5 - Fax: 06182/9294-69 - Mail: trapp@f-trapp.de

www.f-trapp.de

Decorative luminaire TML-360



Luminaire: TML 363
Pole: TZM 701.40
Jib: TMA 418.1

TMA 418.2

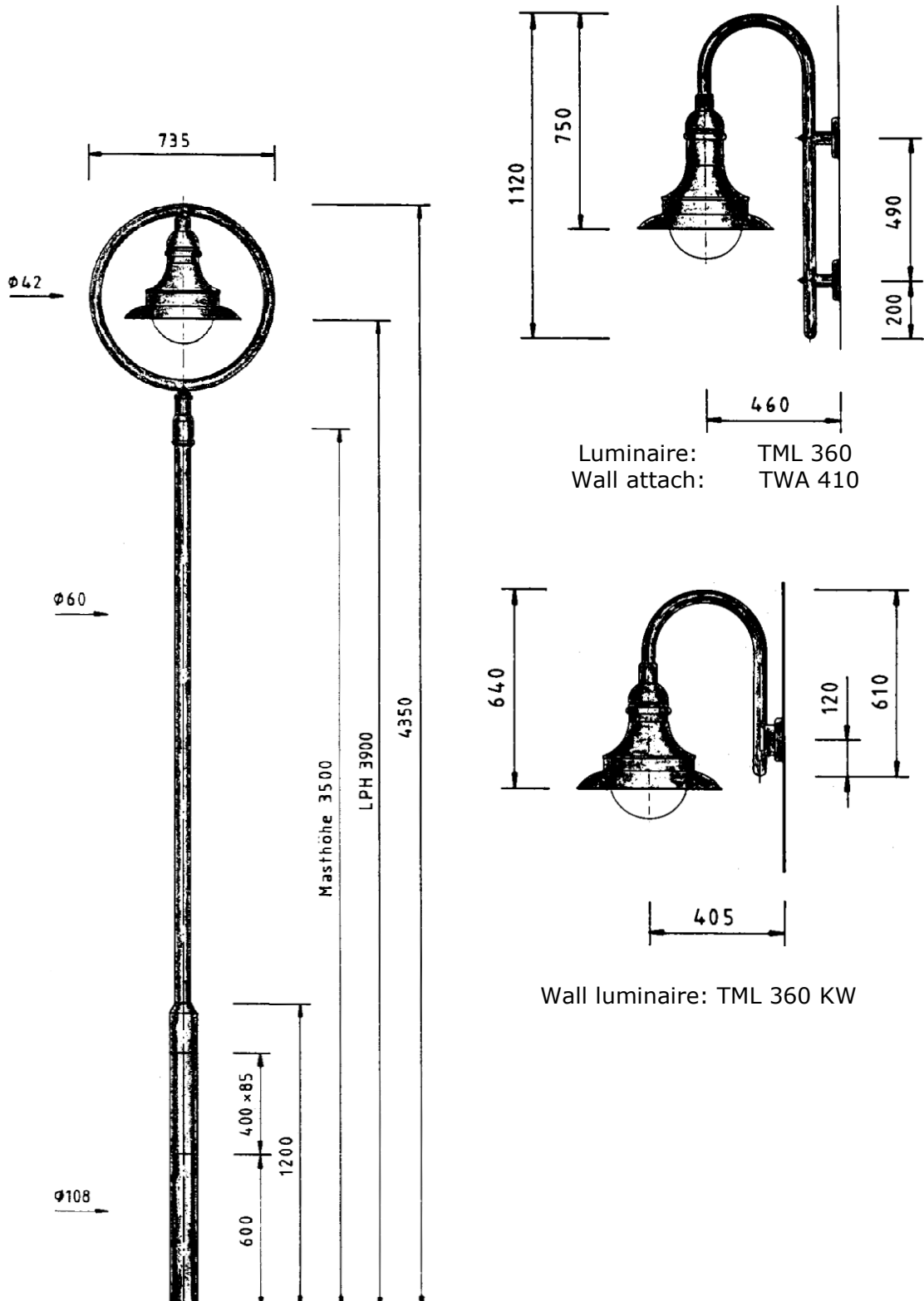


Friedhelm TRAPP GmbH

Ostring 15 - 63533 Mainhausen - Zentrale: 06182/9294-5 - Fax: 06182/9294-69 - Mail: trapp@f-trapp.de

www.f-trapp.de

Decorative luminaire TML-360



Luminaire: TML 360
Wall attach: TWA 410

Wall luminaire: TML 360 KW

Luminaire: TML 360 K
Pole: TZM 701.35
Mast attach : TMA 412

