



Friedhelm TRAPP GmbH

Ostring 15 - 63533 Mainhausen - Zentrale: 06182/9294-5 - Fax: 06182/9294-69 - Mail: trapp@f-trapp.de

www.f-trapp.de

Historical luminaires quadrangular

THL-120 „Backnang“



This luminaire was designed using historical models. It is suitable for the lighting of roads, squares, parks and equipment.

The application can be carried out in conjunction with our historical casting candelabra, but also on wall brackets and in multiple combinations.



On candelabra THK-600/600-A



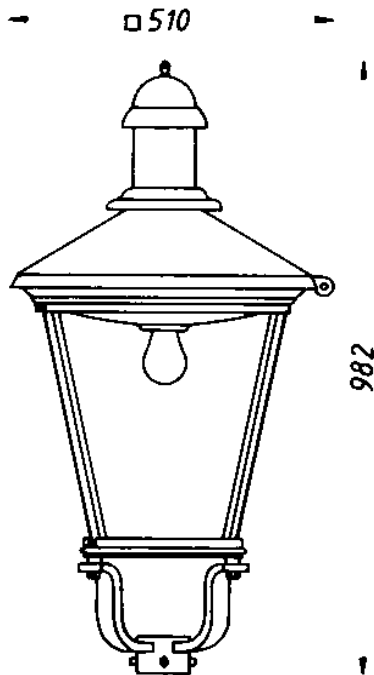
Friedhelm TRAPP GmbH

Ostring 15 - 63533 Mainhausen - Zentrale: 06182/9294-5 - Fax: 06182/9294-69 - Mail: trapp@f-trapp.de

www.f-trapp.de

Historical luminaires quadrangular

THL-120 „Backnang“



Technical specifications

Luminaire housing:	Graycast, braceless, with 2 spacer tubes
Fitting roof:	Coppersheet or aluminumsheet, painted
Reflector:	Aluminium, white powder coated
Fastening elements:	V2A
Glass:	Crystal glass, 4 mm thick (opal glasses with extra charge)
Varnishing:	RAL color of your choice
Installation:	LED, 1xE26 ES, 2xE26 ES, TCD, HSE, HIE, all electric parts with VDE mark
Protection category:	IP 23
Protection class:	SK I, SK II auf Anfrage
Bow luminaires:	Forged plaitbow, \varnothing 64 mm