



# Friedhelm TRAPP GmbH

Ostring 15 - 63533 Mainhausen - Zentrale: 06182/9294-5 - Fax: 06182/9294-69 - Mail: trapp@f-trapp.de

[www.f-trapp.de](http://www.f-trapp.de)

## Special luminaire versions

### THL-226/1235 „Dresden“

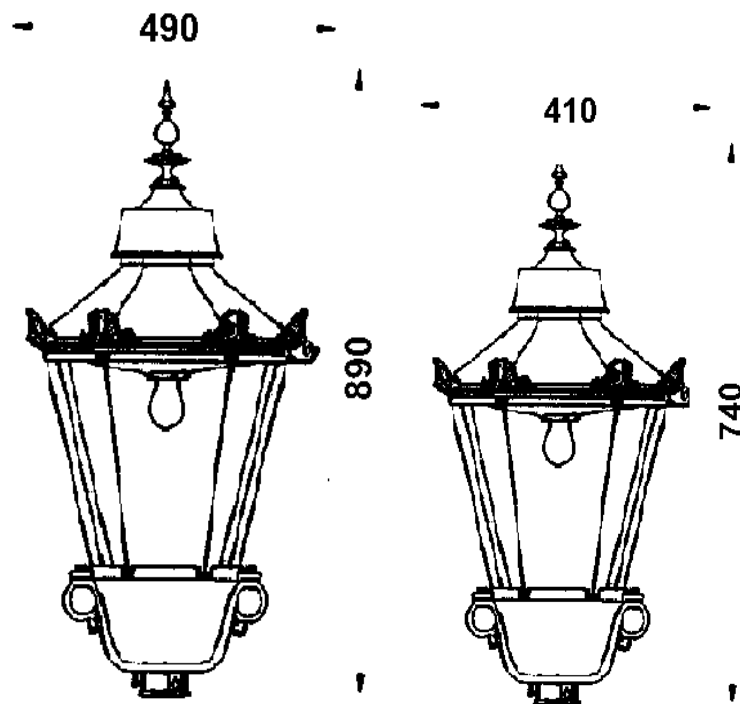




[www.f-trapp.de](http://www.f-trapp.de)

## Special luminaire versions

### THL-226/1235 „Dresden“



#### Technical specifications

Luminaire housing:	Coppersheet and galvanized steel profiles,
Fitting roof:	Coppersheet
Reflector:	Aluminium, white powder coated
Fastening elements:	V2A
Glass:	Crystal glass, 4 mm thick
Varnishing:	RAL color of your choice
Installation:	LED, 1xE26 ES, 2xE26 ES, TCD, HSE, HIE, Gas, all electric parts with VDE mark
Protection category:	IP 23
Protection class:	SK I, SK II available on request
Bow luminaires:	Plait bow Ø 64 mm