



Accessories for candelabra and wall arms

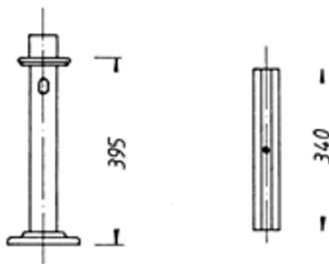
Top sections for multi boom

They are required to design a multi-arm luminaire and can accommodate up to four booms. The attachment is done at the candelabra top part by screwing.

Material: Cast iron or cast aluminum

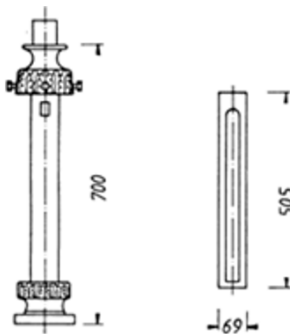
Paint: 3-times incl rustproofing, top coat as desired.

No. 540 and Compensation shell no. 540 S



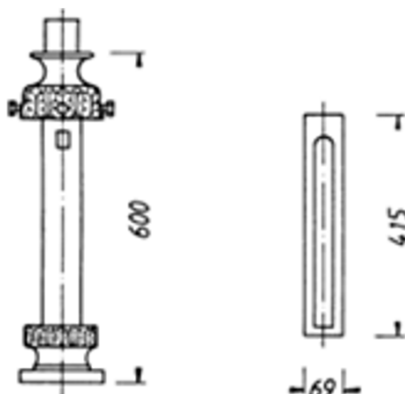
Fastening elements:
VA - screws
spigot size above:
60 mm Outer diameter
spigot size below:
44 mm Inner diameter
Weight:
8,5 kg
Boom:
1404 A

No. 550 and Compensation shell no. 550 S



Fastening elements:
VA - screws
spigot size above:
60 mm Outer diameter
spigot size below:
64 mm Inner diameter
Weight:
20 kg
Boom:
403 A, 405 A

No. 555 and Compensation shell no. 555 S



Fastening elements:
VA - screws
spigot size above:
60 mm Outer diameter
spigot size below:
64 mm Inner diameter
Weight:
18 kg
Boom:
401 A, 402 A, 404 A



Friedhelm TRAPP GmbH

Ostring 15 - 63533 Mainhausen - Zentrale: 06182/9294-5 - Fax: 06182/9294-69 - Mail: trapp@f-trapp.de

www.f-trapp.de

Accessories for candelabra and wall arms

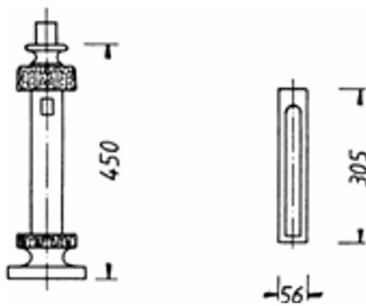
Top sections for multi boom

They are required to design a multi-arm luminaire and can accommodate up to four booms. The attachment is done at the candelabra top part by screwing.

Material: Cast iron or cast aluminum

Paint: 3-times incl rustproofing, top coat as desired.

No. 560 and Compensation shell no. 560 S



Fastening elements:

VA - screws

spigot size above:

40 mm Outer diameter

spigot size below:

44 mm Inner diameter

Weight:

10 kg

Boom:

1402 A



Friedhelm TRAPP GmbH

Ostring 15 - 63533 Mainhausen - Zentrale: 06182/9294-5 - Fax: 06182/9294-69 - Mail: trapp@f-trapp.de

www.f-trapp.de

Accessories for candelabra and wall arms

Accessory Parts

Material:

Cast iron or cast aluminum Paint:

3-times incl rustproofing, top coat as desired.

Fastening elements:

VA - screws and grub screw

Nr. 590



Nr. 1590



Ladder bow

It serves as an additional decorative element or candelabra extension for individual luminaires.

Nr 590:

spigot size above:

60 mm Outer diameter

spigot size below:

64 mm Inner diameter

Weight:

9 kg

Nr 1590:

spigot size above:

40 mm Outer diameter

spigot size below:

44 mm Inner diameter

Weight:

9 kg

Extension for central luminaire

It is designed for a multi-arm luminaire to increase center luminaire and is mounted on the top section.

spigot size below:

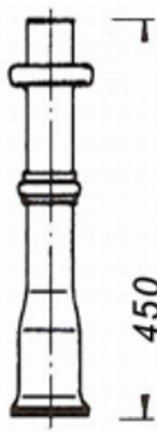
64/44 mm Inner diameter

spigot size above:

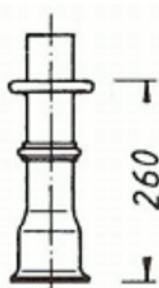
60/40 mm Outer diameter

Weight:

4,5/ 2 kg



Nr. 566



Nr. 565



Nr. 1565



Friedhelm TRAPP GmbH

Ostring 15 - 63533 Mainhausen - Zentrale: 06182/9294-5 - Fax: 06182/9294-69 - Mail: trapp@f-trapp.de

www.f-trapp.de

Accessories for candelabra and wall arms

Accessory Parts

Material:

Cast iron or cast aluminum Paint:

3-times incl rustproofing, top coat as desired.

Fastening elements:

VA - screws and grub screw

Final crowns

They serve as the final parts of the attachment piece in multi-arm lamps without center luminaire.



Nr. 570



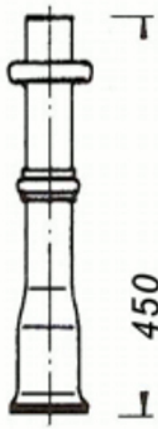
Nr. 1570

spigot size:
64/44 mm Inner diameter
Weight:
2,5/0,8 kg

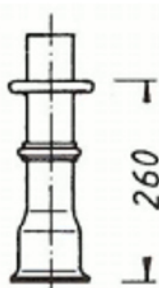
Extension for central luminaire

It is designed for a multi-arm luminaire to increase center luminaire and is mounted on the top section.

spigot size below:
64/44 mm Inner diameter
spigot size above:
60/40 mm Outer diameter
Weight:
4,5/ 2 kg



Nr. 566



Nr. 565



Nr. 1565



Friedhelm TRAPP GmbH

Ostring 15 - 63533 Mainhausen - Zentrale: 06182/9294-5 - Fax: 06182/9294-69 - Mail: trapp@f-trapp.de

www.f-trapp.de

Accessories for candelabra and wall arms

Accessory Parts

Material:

Cast iron or cast aluminum Paint:

3-times incl rustproofing, top coat as desired.

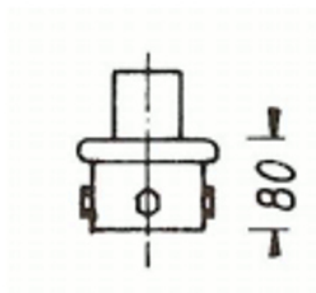
Fastening elements:

VA - screws and grub screw

Reducing piece

It is used to reduce the spigot size with candelabras from 76 mm to 60 mm outside diameter

spigot size below:
80 mm Inner diameter
Weight:
3 kg

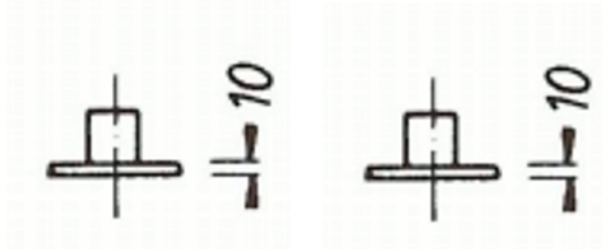


Nr. 575

Mounting flange

It is used for direct mounting of luminaires on a wall or a pedestal.

spigot size below:
80 mm Innendurchmesser
Weight:
3 kg



Nr. 580

Nr. 1580



Friedhelm TRAPP GmbH

Ostring 15 - 63533 Mainhausen - Zentrale: 06182/9294-5 - Fax: 06182/9294-69 - Mail: trapp@f-trapp.de

www.f-trapp.de

Accessories for candelabra and wall arms

Ground ancor and ground basket

They are required to anchor the luminaires candelabra in the ground. The mounting of candelabra by means of screw connection.

Material:

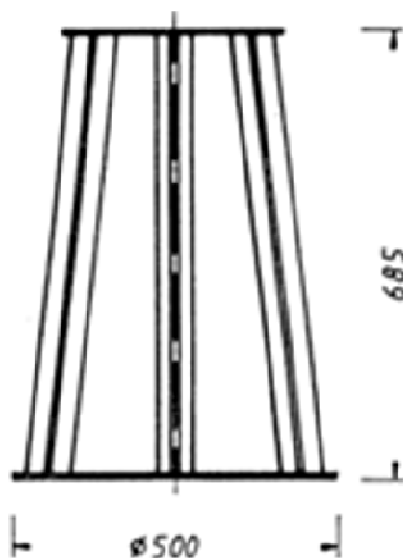
Welded steel construction, hot galvanized

Varnishing:

Flange plate, RAL color as desired

Connection elements:

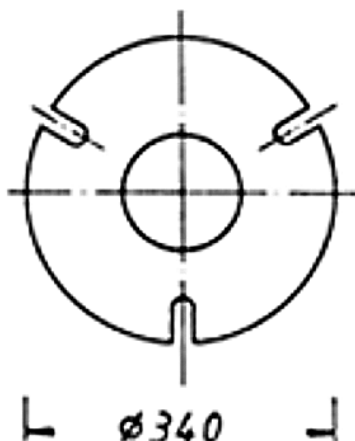
M16 bolts, washers and nuts from VA



Groundbasket E1

for candelabra Nr. 600, 610, 630, 650, 660 and 670

Flange dimensions E1/E3





Friedhelm TRAPP GmbH

Ostring 15 - 63533 Mainhausen - Zentrale: 06182/9294-5 - Fax: 06182/9294-69 - Mail: trapp@f-trapp.de

www.f-trapp.de

Accessories for candelabra and wall arms

Ground ancor and ground basket

They are required to anchor the luminaires candelabra in the ground. The mounting of candelabra by means of screw connection.

Material:

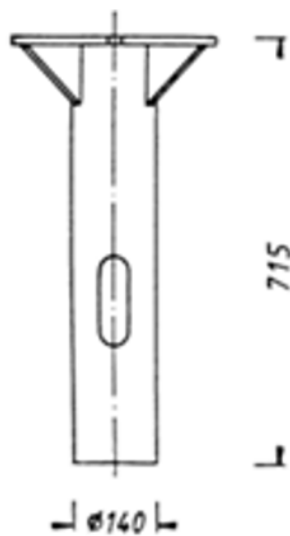
Welded steel construction, hot galvanized

Varnishing:

Flange plate, RAL color as desired

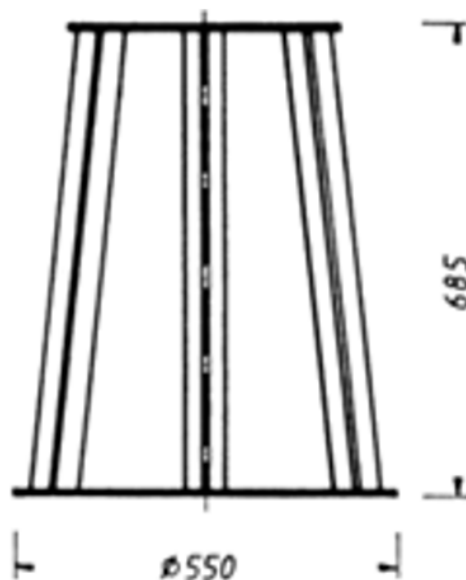
Connection elements:

M16 bolts, washers and nuts from VA



Groundancor E3

for candelabra Nr. 600, 610, 630, 650, 660 and 670



Groundbasket E2

for candelabra Nr. 620 and 640



Friedhelm TRAPP GmbH

Ostring 15 - 63533 Mainhausen - Zentrale: 06182/9294-5 - Fax: 06182/9294-69 - Mail: trapp@f-trapp.de

www.f-trapp.de

Accessories for candelabra and wall arms

Ground ancor and ground basket

They are required to anchor the luminaires candelabra in the ground. The mounting of candelabra by means of screw connection.

Material:

Welded steel construction, hot galvanized

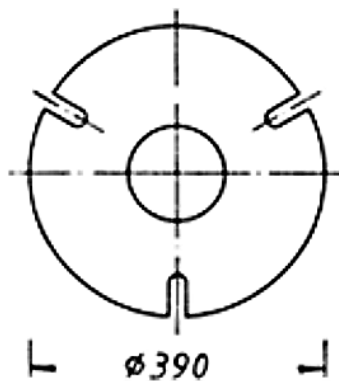
Varnishing:

Flange plate, RAL color as desired

Connection elements:

M16 bolts, washers and nuts from VA

Flange dimensions E2/E4



Groundancor E4

for candelabra Nr. 620 and 640

