



Friedhelm TRAPP GmbH

Ostring 15 - 63533 Mainhausen - Zentrale: 06182/9294-5 - Fax: 06182/9294-69 - Mail: trapp@f-trapp.de

www.f-trapp.de

Park bench TPB-940 Baden-Baden

Description



Material:

Side parts of cast iron GG25

Batten oak tree or other European wood (tropical wood with FSC certification with extra charge)

Coating:

Metal parts with 3x paint, top coat RAL color of your choice

Wooden parts with scumble

Total weight:

ca. 53 kg



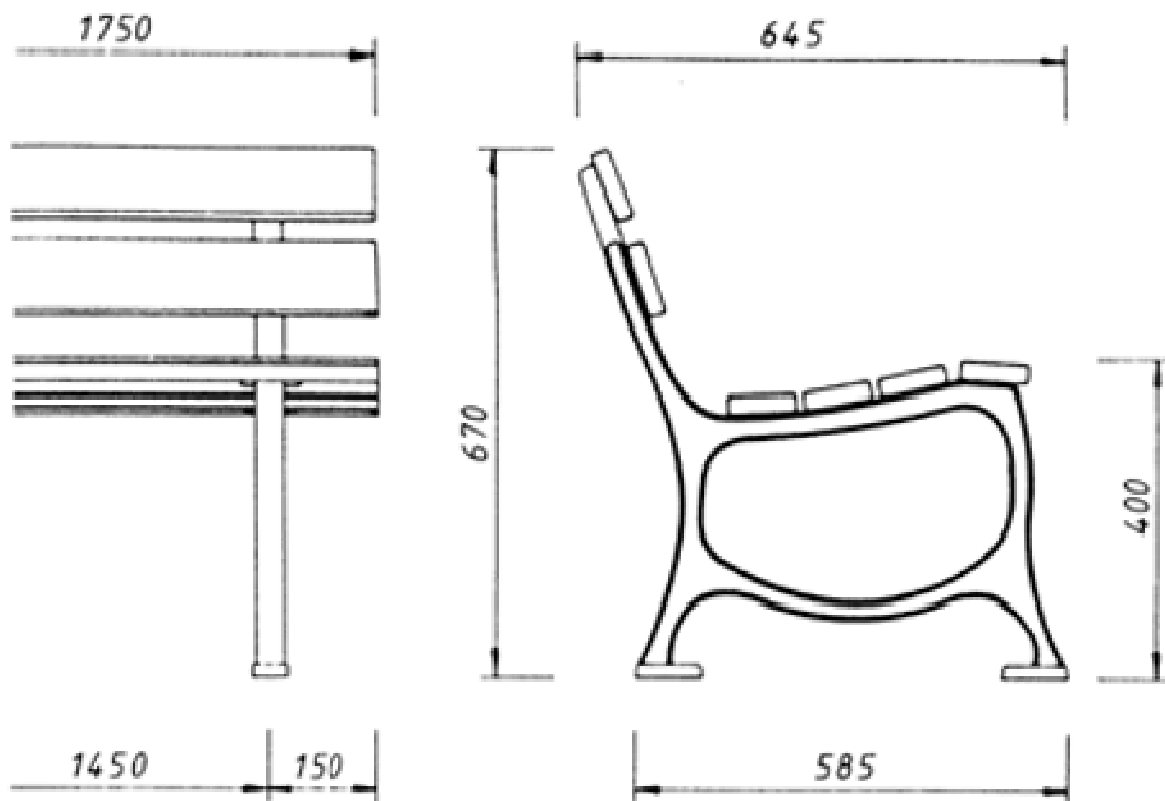
Friedhelm TRAPP GmbH

Ostring 15 - 63533 Mainhausen - Zentrale: 06182/9294-5 - Fax: 06182/9294-69 - Mail: trapp@f-trapp.de

www.f-trapp.de

Park bench TPB-940 Baden-Baden

Dimensions





Friedhelm TRAPP GmbH

Ostring 15 - 63533 Mainhausen - Zentrale: 06182/9294-5 - Fax: 06182/9294-69 - Mail: trapp@f-trapp.de

www.f-trapp.de

Park bench TPB-940 Baden-Baden

Examples

